

2717 Sunnywood Ave
Woodland Park, CO 80863
(719) 362-3576 Phone
www.eleventechgroup.com

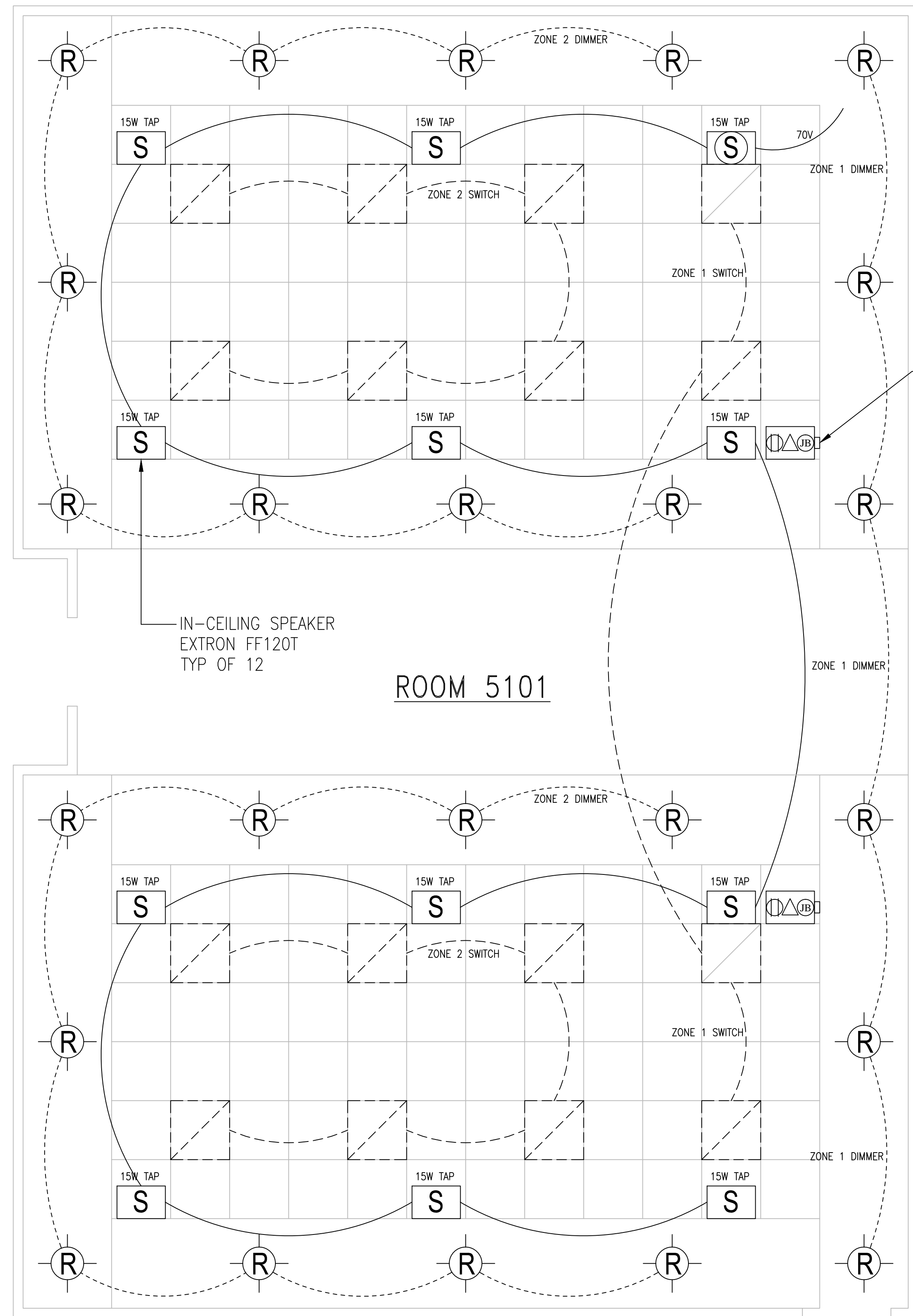
**UCCS Breckenridge
AV Refresh**
1420 Austin Bluffs, Colorado Springs, CO 80918

IDEA PANORAMIC & PROJECTOR LOCATIONS

GENERAL INFORMATION	
DRAFTER:	B. BECERRA
DESIGNER:	R. HOWARD
PROJECT MGR:	R. HOWARD
INTEGRATION MGR:	
SALES REP:	
DATE:	05/24/17
SCALE:	AS SHOWN

JOB NO: 17-012

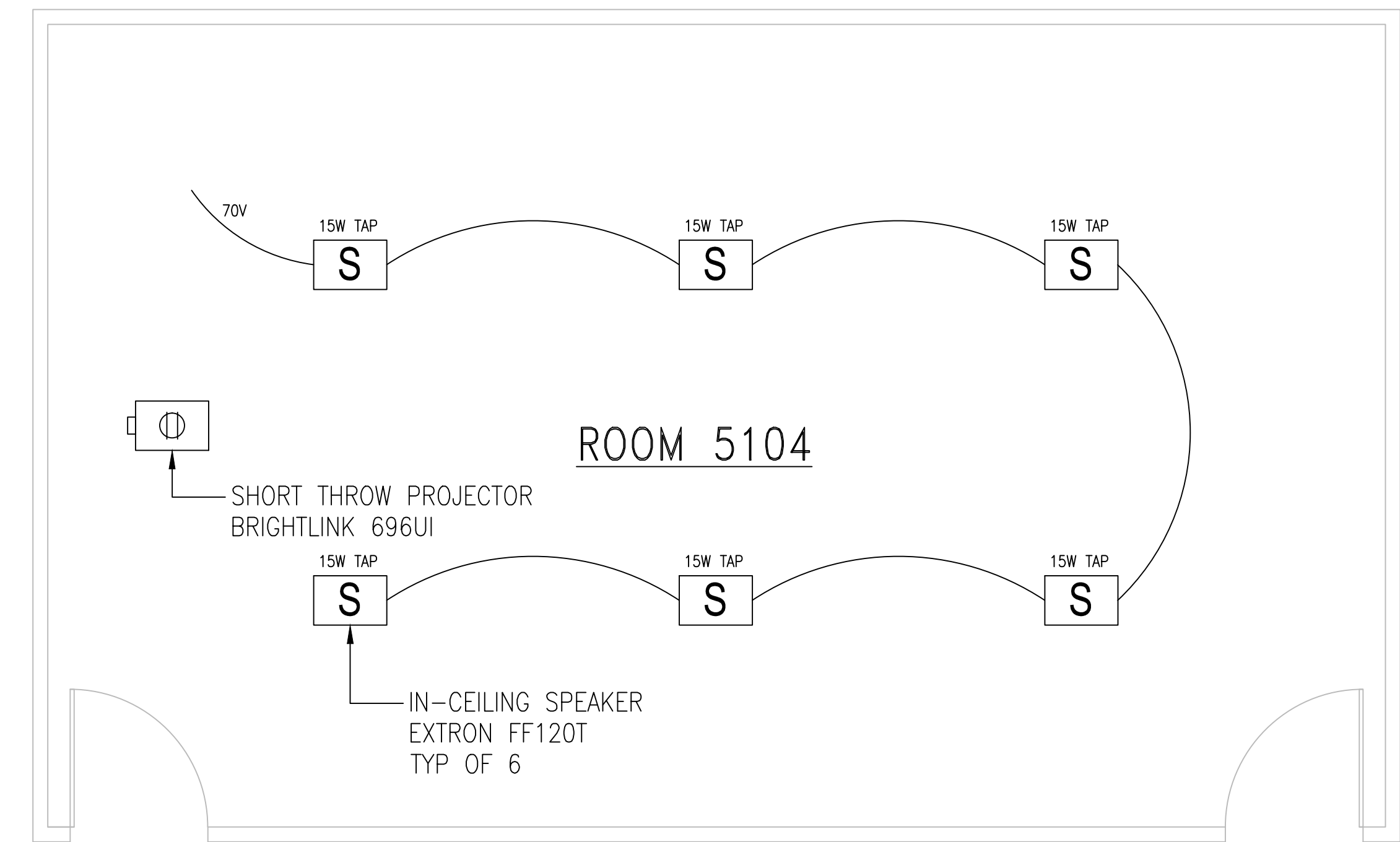
SHEET
AV1.01



PROJECTOR
EPSON L1100UNL
W/ EPSON ELPLU03 LENS AND CHIEF
CMS491CP2 PLENUM RATED JUNCTION
BOX
TYP OF 2

IN-CEILING SPEAKER
EXTRON FF120T
TYP OF 12

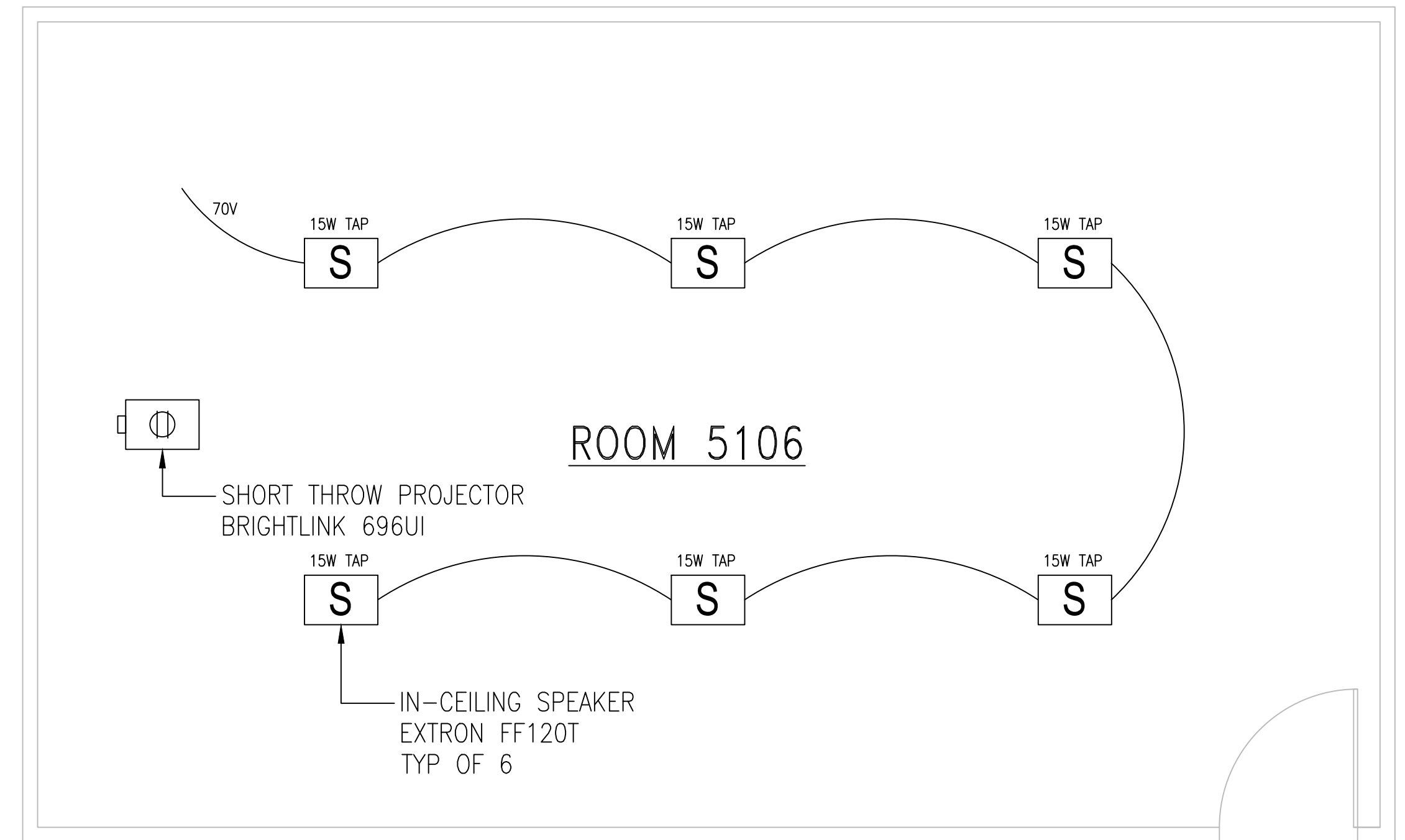
ROOM 5101



ROOM 5104

SHORT THROW PROJECTOR
BRIGHTLINK 696UI

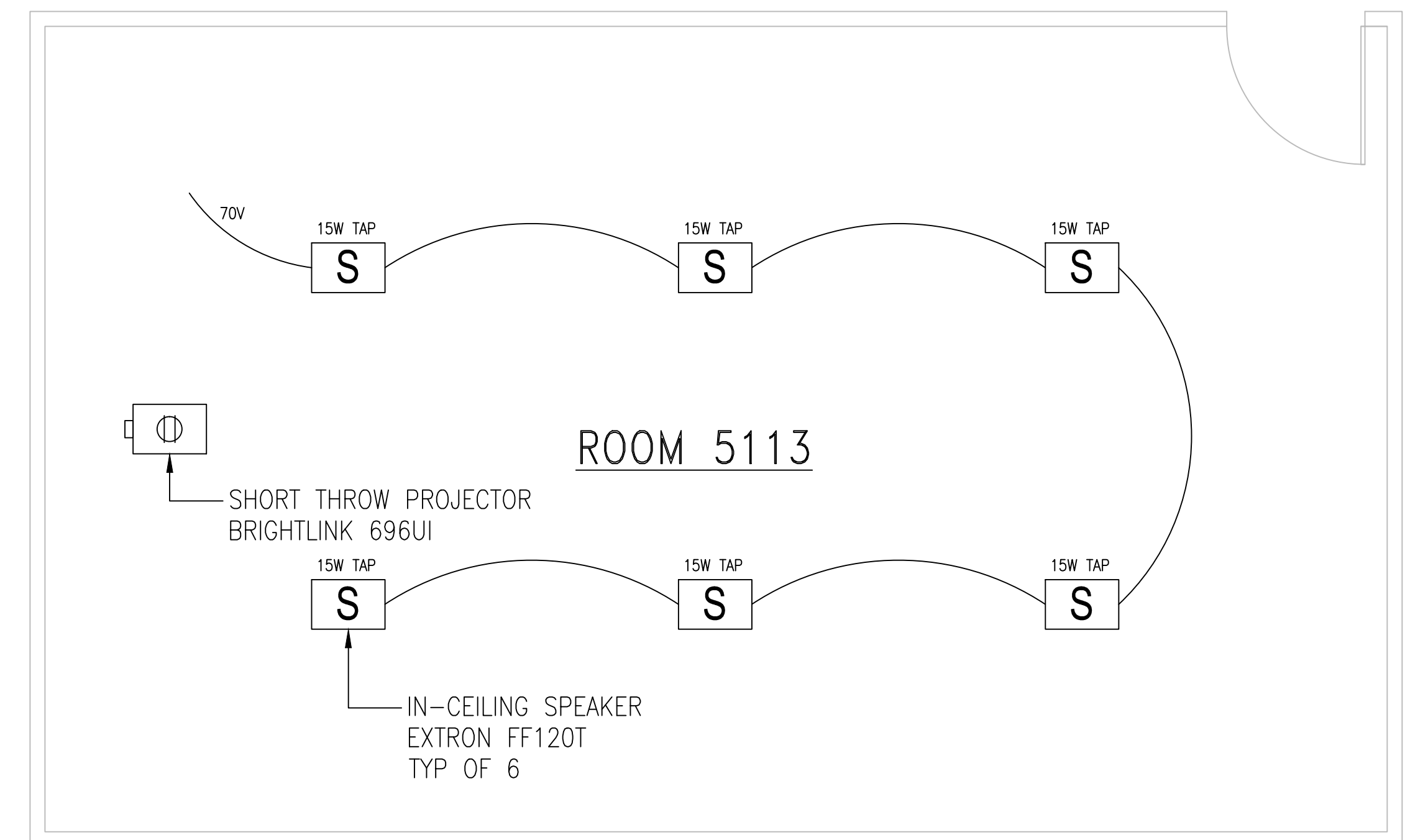
IN-CEILING SPEAKER
EXTRON FF120T
TYP OF 6



ROOM 5106

SHORT THROW PROJECTOR
BRIGHTLINK 696UI

IN-CEILING SPEAKER
EXTRON FF120T
TYP OF 6



ROOM 5113

SHORT THROW PROJECTOR
BRIGHTLINK 696UI

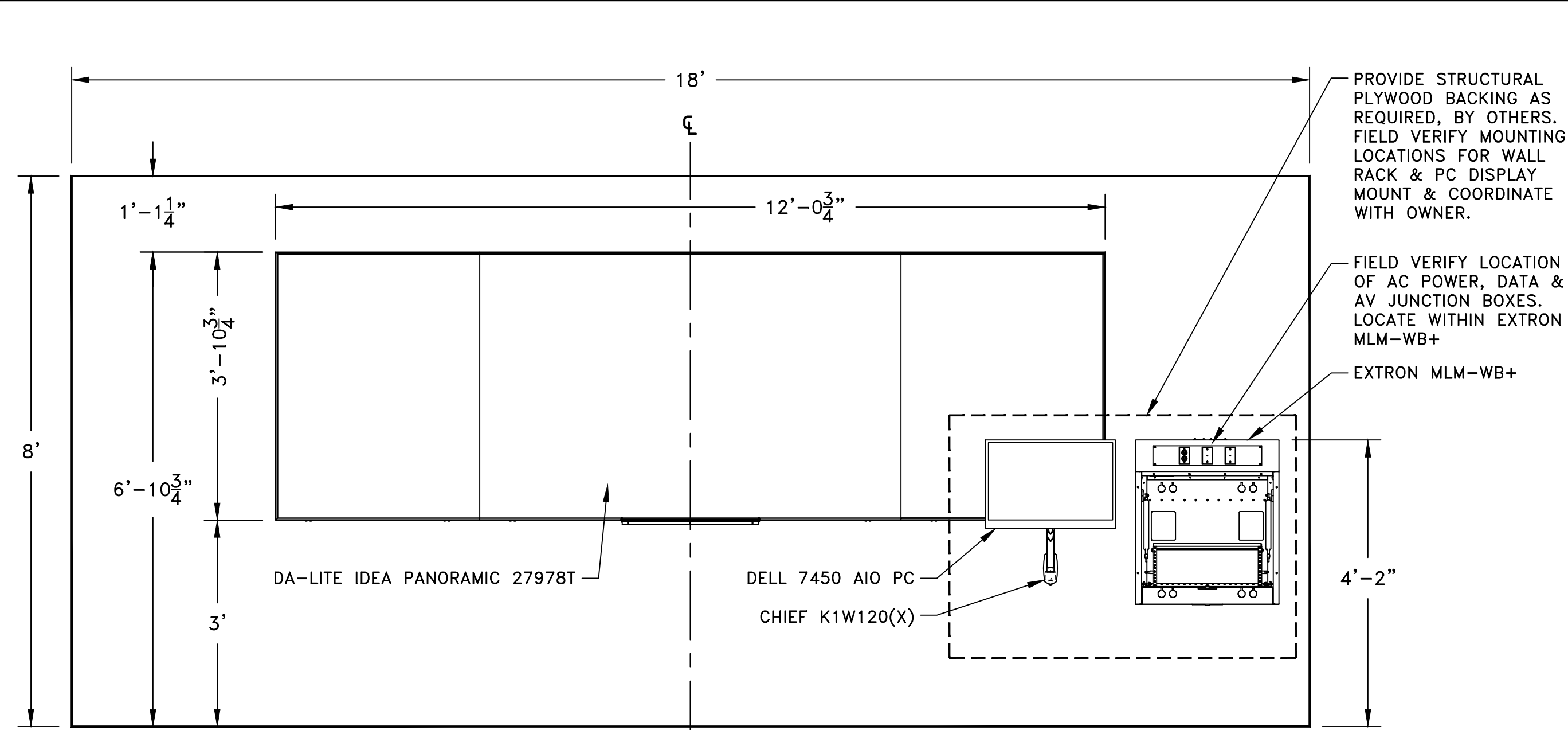
IN-CEILING SPEAKER
EXTRON FF120T
TYP OF 6

NOTE 1 : PLENUM RATED CEILING BOXES TO BE SECURELY TIED TO CONCRETE DECK ABOVE BY APPROVED ANCHORING METHODS.
NOTE 2 : RELOCATE TWO (2) EXISTING 120VAC PROJECTOR CIRCUITS TO ELECTRICAL CONNECTION IN PLENUM RATED BACK BOXES.
NOTE 3 : NETWORK CABLING ORIGINATES IN ROOM 5205 IDF
NOTE 4 : PROVIDE & INSTALL TWO 2G JUNCTION BOXES FOR LIGHTING CONTROLLERS IN EXISTING SWITCH LOCATIONS.

GENERAL INFORMATION		DRAFTER:	B. BECERRA
		DESIGNER:	R. HOWARD
		PROJECT MGR:	R. HOWARD
		INTEGRATION MGR:	
		SALES REP:	
DATE:	NO.	REVISIONS:	SCALE:
	1		AS SHOWN
	2		
	3		
	4		
	5		
	6		
	7		

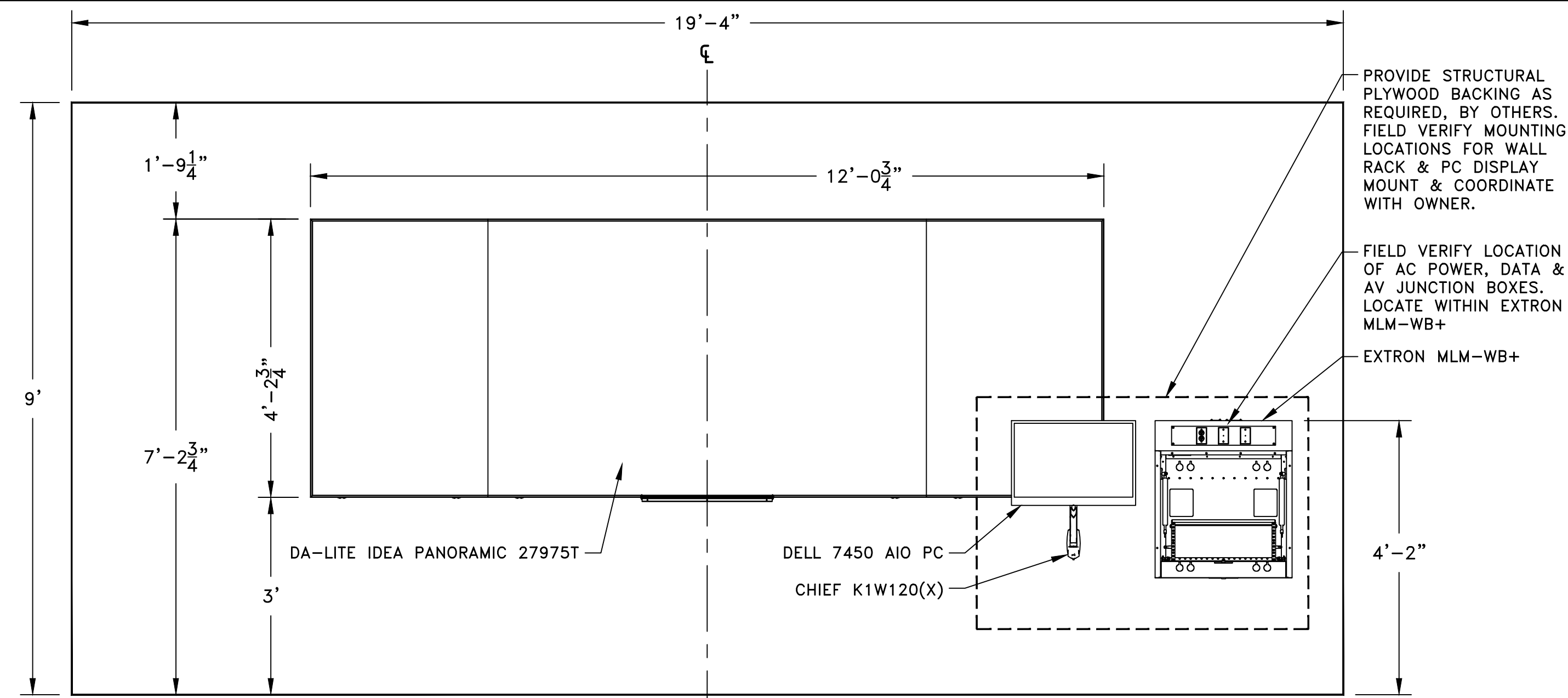
JOB NO: 17-012

SHEET
AV1.02



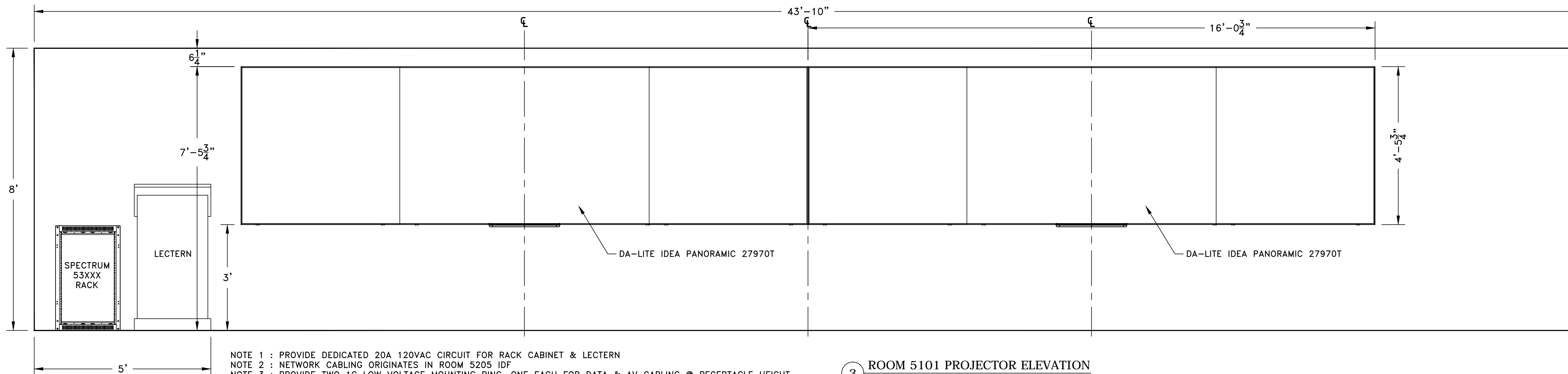
NOTE 1 : PROVIDE DEDICATED 120VAC CIRCUIT FOR PROJECTOR & WALL CABINET.
 NOTE 2 : NETWORK CABLING ORIGINATES IN ROOM 5205 IDF

1 ROOM 5104 & 5106 PROJECTOR ELEVATION
 Scale: 5/8" = 1'-0"



NOTE 1 : PROVIDE DEDICATED 120VAC CIRCUIT FOR PROJECTOR & WALL CABINET.
 NOTE 2 : NETWORK CABLING ORIGINATES IN ROOM 5205 IDF

2 ROOM 5113 PROJECTOR ELEVATION
 Scale: 5/8" = 1'-0"



NOTE 1 : PROVIDE DEDICATED 20A 120VAC CIRCUIT FOR RACK CABINET & LECTERN
 NOTE 2 : NETWORK CABLING ORIGINATES IN ROOM 5205 IDF
 NOTE 3 : PROVIDE TWO 1G LOW VOLTAGE MOUNTING RING, ONE EACH FOR DATA & AV CABLING @ RECEPTACLE HEIGHT
 NOTE 4 : SPECTRUM 53XXX RACK PROVIDES A X GROMMET FOR CABLE ENTRY

3 ROOM 5101 PROJECTOR ELEVATION
 Scale: 5/8" = 1'-0"

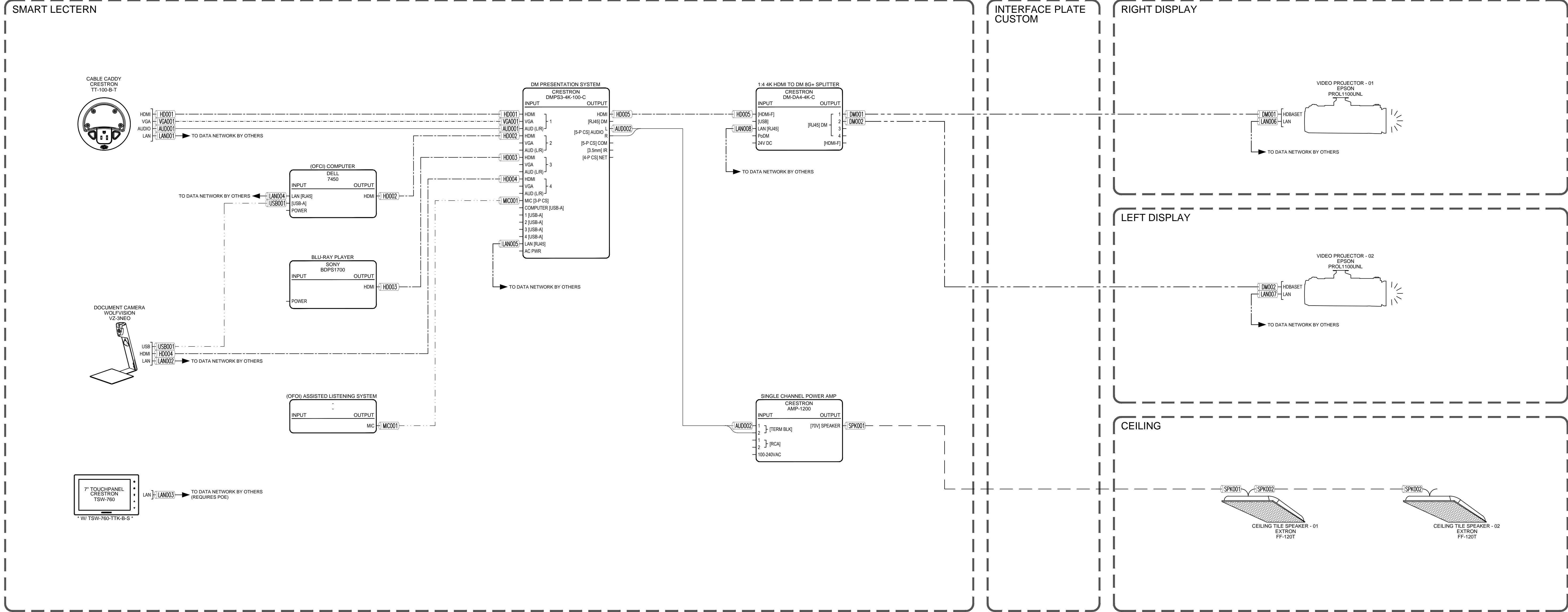


4 ROOM 5101 RACK ELEVATION
 Scale: 5/8" = 1'-0"

GENERAL INFORMATION	
DRAFTER:	B. BECERRA
DESIGNER:	R. HOWARD
PROJECT MGR:	R. HOWARD
INTEGRATION MGR:	
SALES REP:	052417
DATE:	
SCALE:	AS SHOWN

NO.	REVISIONS:
1	
2	
3	
4	
5	
6	
7	

JOB NO: 17-012



1 LARGE CLASSROOM AUDIOVISUAL ONE-LINE DIAGRAM

SCALE: NTS

SIGNAL		WIRE LEGEND		CABLE	
COMPONENT VIDEO	RGB	---	---	---	---
COMPOSITE VIDEO	CV	---	---	---	---
	HDMI	---	---	---	---
	DVI	---	---	---	---
DIGITAL MEDIA 8G+	DM	---	---	---	---
	VGA	---	---	---	---
LINE LEVEL AUDIO	AUD	---	---	---	---
MICROPHONE	MIC	---	---	---	---
SPEAKER AUDIO	SPK	---	---	---	---
	RF	---	---	---	---
CONTROL	CTL	---	---	---	---
DATA	CAT	---	---	---	---
LAN	LAN	---	---	---	---
USB	USB	---	---	---	---

eleveln
TECH GROUP
consulting | design | project management

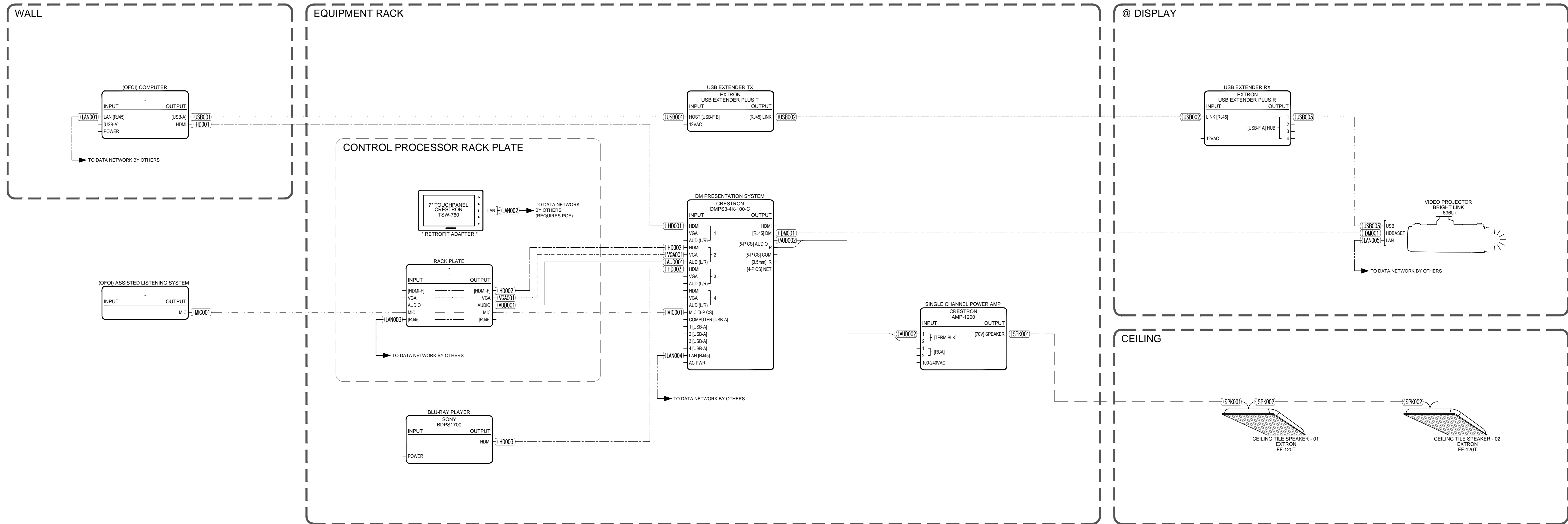
2717 Sunnywood Ave.
Woodland Park, CO 80863
(719) 362-3576 Phone
www.elevelntechgroup.com

UCCS Breckenridge
AV Refresh
1420 Austin Bluffs, Colorado Springs, CO 80918

LARGE CLASSROOM
AUDIOVISUAL ONE-LINE DIAGRAM

GENERAL INFORMATION	
DRAFTER:	M. BARROS
DESIGNER:	R. HOWARD
PROJECT MGR:	R. HOWARD
INTEGRATION MGR:	
SALES REP:	
DATE:	05/24/17
SCALE:	NTS

NO.	REVISIONS:
1	
2	
3	
4	
5	
6	
7	



1 SMALL CLASSROOM AUDIOVISUAL ONE-LINE DIAGRAM
SCALE: NTS

SIGNAL	WIRE LEGEND	CABLE
COMPONENT VIDEO	RGB	-----
COMPOSITE VIDEO	CV	-----
	HDMI	-----
	DVI	-----
DIGITAL MEDIA 8G+	DM	-----
	VGA	-----
LINE LEVEL AUDIO	AUD	-----
MICROPHONE	MIC	-----
SPEAKER AUDIO	SPK	-----
	RF	-----
CONTROL	CTL	-----
DATA	CAT	-----
LAN	LAN	-----
USB	USB	-----

eleven
TECH GROUP
consulting | design | project management

2717 Sunnywood Ave.
Woodland Park, CO 80863
(719) 362-3576 Phone
www.eleventechgroup.com

**UCCS Breckenridge
AV Refresh**
1420 Austin Bluffs, Colorado Springs, CO 80918

**SMALL CLASSROOM
AUDIOVISUAL ONE-LINE DIAGRAM**

GENERAL INFORMATION	
DRAFTER:	M. BARROS
DESIGNER:	R. HOWARD
PROJECT MGR:	R. HOWARD
INTEGRATION MGR:	
SALES REP:	
DATE:	05/24/17
SCALE:	NTS

NO.	REVISIONS:
1	
2	
3	
4	
5	
6	
7	

DATE:	
REV. BY:	
JOB NO:	17-012
SHEET	AV3.02

**UCCS_Breckenridge AV Refresh
Large Classroom**

VIDEO

WIRE LABEL	SOURCE	DESTINATION	CABLE
DM001	1:4 4K HDMI TO DM 8G+ SPLITTER, DM OUT 1	VIDEO PROJECTOR - 01, HBASET IN	CAT5E/SHIELDED
DM002	1:4 4K HDMI TO DM 8G+ SPLITTER, DM OUT 2	VIDEO PROJECTOR - 02, HBASET IN	CAT5E/SHIELDED
HD001	CABLE CADDY, HDMI OUT	DM PRESENTATION SYSTEM, HDMI IN 1	HDMI
HD002	(OFCI) COMPUTER, HDMI OUT	DM PRESENTATION SYSTEM, HDMI IN 2	HDMI
HD003	BLU-RAY PLAYER, HDMI OUT	DM PRESENTATION SYSTEM, HDMI IN 3	HDMI
HD004	DOCUMENT CAMERA, HDMI OUT	DM PRESENTATION SYSTEM, HDMI IN 4	HDMI
HD005	DM PRESENTATION SYSTEM, HDMI OUT	1:4 4K HDMI TO DM 8G+ SPLITTER, HDMI IN	HDMI
VGA001	CABLE CADDY, VGA OUT	DM PRESENTATION SYSTEM, VGA IN 1	VGA

AUDIO

WIRE LABEL	SOURCE	DESTINATION	CABLE
AUD001	CABLE CADDY, AUDIO OUT	DM PRESENTATION SYSTEM, AUDIO IN 1	AUDIO
AUD002	DM PRESENTATION SYSTEM, AUDIO OUT L & R	SINGLE CHANNEL POWER AMP, IN 1 & 2	AUDIO
MIC001	(OFCI) ASSISTED LISTENING SYSTEM, MIC OUT	DM PRESENTATION SYSTEM, MIC IN	MICROPHONE
SPK001	SINGLE CHANNEL POWER AMP, 70V SPEAKER OUT	CEILING TILE SPEAKER - 01	SPEAKER
SPK002	CEILING TILE SPEAKER - 01	CEILING TILE SPEAKER - 02	SPEAKER

CONTROL

WIRE LABEL	SOURCE	DESTINATION	CABLE
LAN001	CABLE CADDY, LAN	DATA NETWORK BY OTHERS	CAT5E/SHIELDED
LAN002	DOCUMENT CAMERA, LAN	DATA NETWORK BY OTHERS	CAT5E/SHIELDED
LAN003	7" TOUCHPANEL, LAN	DATA NETWORK BY OTHERS (REQUIRES POE)	CAT5E/SHIELDED
LAN004	(OFCI) COMPUTER, LAN	DATA NETWORK BY OTHERS	CAT5E/SHIELDED
LAN005	DM PRESENTATION SYSTEM, LAN	DATA NETWORK BY OTHERS	CAT5E/SHIELDED
LAN006	VIDEO PROJECTOR - 01, LAN	DATA NETWORK BY OTHERS	CAT5E/SHIELDED
LAN007	VIDEO PROJECTOR - 02, LAN	DATA NETWORK BY OTHERS	CAT5E/SHIELDED
LAN008	1:4 4K HDMI TO DM 8G+ SPLITTER, LAN	DATA NETWORK BY OTHERS	CAT5E/SHIELDED
USB001	DOCUMENT CAMERA, USB	(OFCI) COMPUTER, USB	USB

**UCCS_Breckenridge AV Refresh
Small Classroom**

VIDEO

WIRE LABEL	SOURCE	DESTINATION	CABLE
DM001	DM PRESENTATION SYSTEM, DM OUT	VIDEO PROJECTOR, HDBASET IN	CAT5E/SHIELDED
HD001	(OFCI) COMPUTER, HDMI OUT	DM PRESENTATION SYSTEM, HDMI IN 1	HDMI
HD002	RACK PLATE, HDMI OUT	DM PRESENTATION SYSTEM, HDMI IN 2	HDMI
HD003	BLU-RAY PLAYER, HDMI OUT	DM PRESENTATION SYSTEM, HDMI IN 3	HDMI
VGA001	RACK PLATE, VGA OUT	DM PRESENTATION SYSTEM, VGA IN 2	VGA

AUDIO

WIRE LABEL	SOURCE	DESTINATION	CABLE
AUD001	RACK PLATE, AUDIO OUT	DM PRESENTATION SYSTEM, AUDIO IN 2	AUDIO
AUD002	DM PRESENTATION SYSTEM, AUDIO OUT L & R	SINGLE CHANNEL POWER AMP, IN 1 & 2	AUDIO
MIC001	(OFCI) ASSISTED LISTENING SYSTEM, MIC OUT	DM PRESENTATION SYSTEM, MIC IN	MICROPHONE
SPK001	SINGLE CHANNEL POWER AMP, 70V SPEAKER OUT	CEILING TILE SPEAKER - 01	SPEAKER
SPK002	CEILING TILE SPEAKER - 01	CEILING TILE SPEAKER - 02	SPEAKER

CONTROL

WIRE LABEL	SOURCE	DESTINATION	CABLE
LAN001	(OFCI) COMPUTER, LAN	DATA NETWORK BY OTHERS	CAT5E/SHIELDED
LAN002	7" TOUCHPANEL, LAN	DATA NETWORK BY OTHERS (REQUIRES POE)	CAT5E/SHIELDED
LAN003	RACK PLATE, LAN	DATA NETWORK BY OTHERS	CAT5E/SHIELDED
LAN004	DM PRESENTATION SYSTEM, LAN	DATA NETWORK BY OTHERS	CAT5E/SHIELDED
LAN005	VIDEO PROJECTOR, LAN	DATA NETWORK BY OTHERS	CAT5E/SHIELDED
USB001	(OFCI) COMPUTER, USB	USB EXTENDER TX, USB	USB
USB002	USB EXTENDER TX, LINK	USB EXTENDER RX, LINK	CAT5E/SHIELDED
USB003	USB EXTENDER RX, USB	VIDEO PROJECTOR, USB	USB



2717 Sunnywood Ave
Woodland Park, CO 80663
(719) 362-3576 Phone
www.eleventechgroup.com

**UCCS Breckenridge
AV Refresh
1420 Austin Bluffs, Colorado Springs, CO 80918**

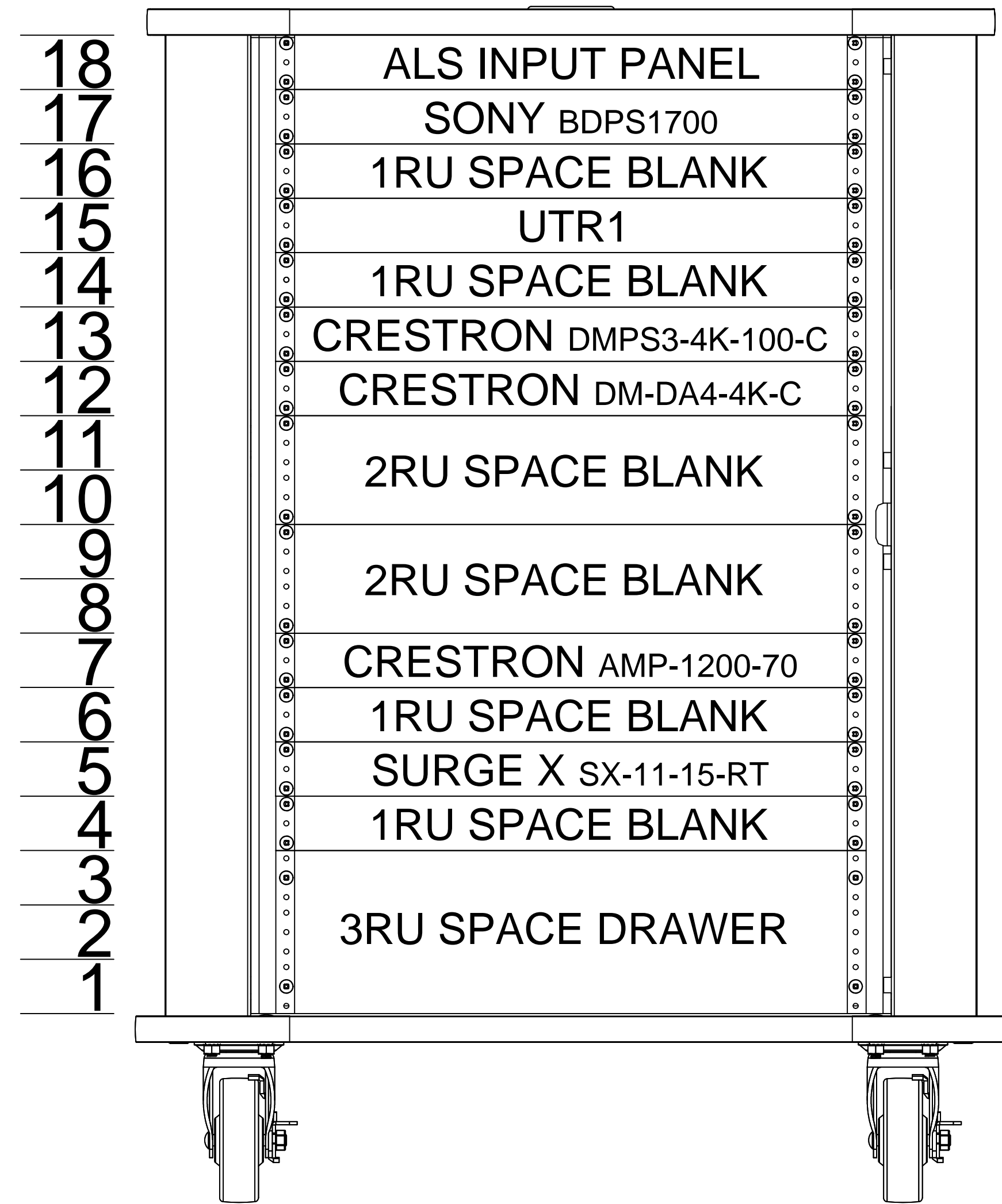
CABLE SCHEDULE

REV. BY:	NO.	REVISIONS:	1	2	3	4	5	6	7							
			DRAFTER:	M. BARROS	DESIGNER:	R. HOWARD	PROJECT MGR:	R. HOWARD	INTEGRATION MGR:		SALES REP:		DATE:	06/24/17	SCALE:	NTS
			GENERAL INFORMATION													
			DATE:													

JOB NO: 17-012

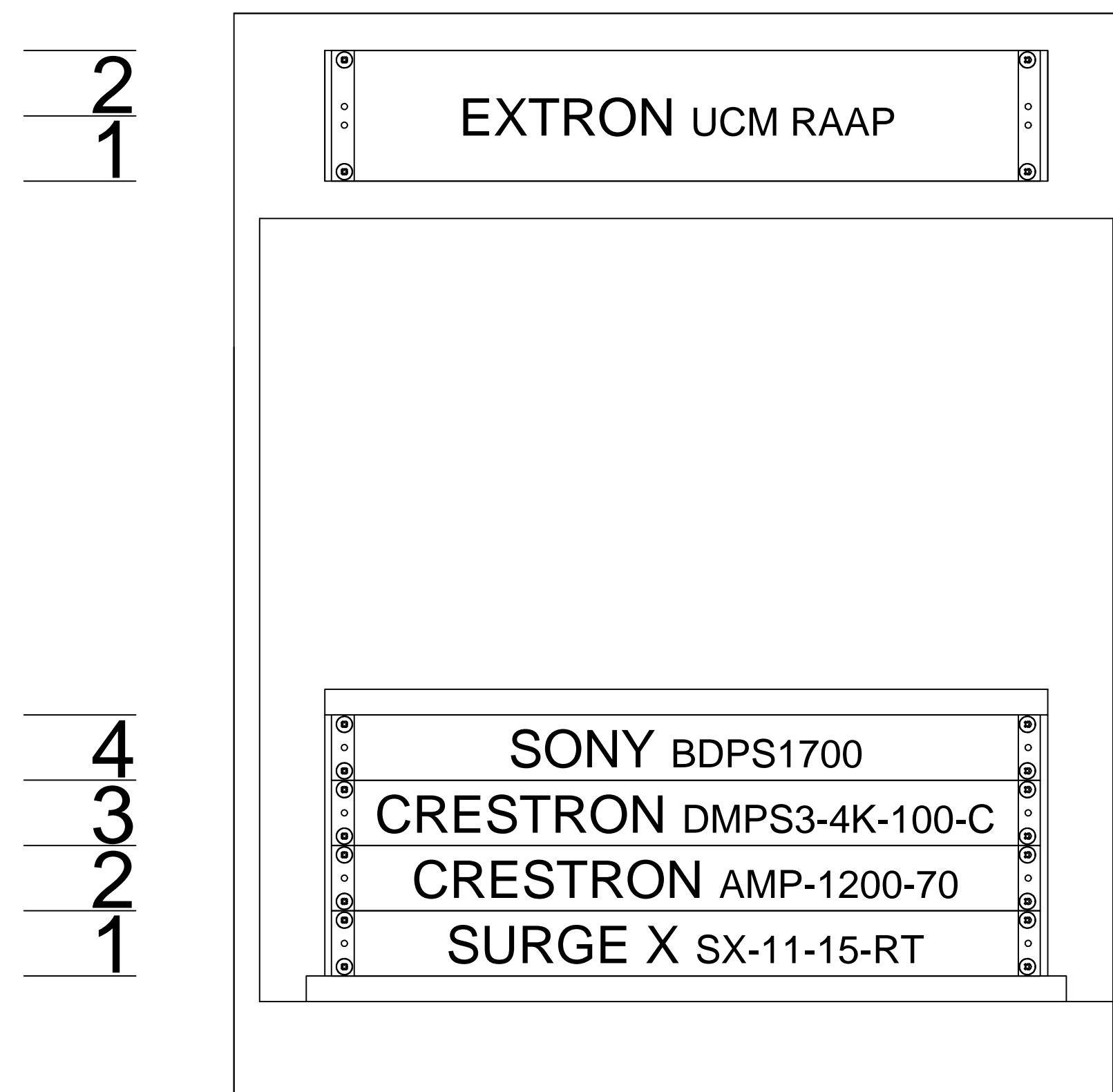
SHEET
AV4.01

1 CABLE SCHEDULE
SCALE: NTS



LECTERN RACK
SPECTRUM INDUSTRIES
55358

1 LARGE CLASSROOM - RACK ELEVATION
SCALE: NTS



LOCKABLE METAL WALL BOX
EXTRON
MLM-WB+

2 SMALL CLASSROOM - RACK ELEVATION
SCALE: NTS

GENERAL INFORMATION	
DRAFTER:	M. BARROS
DESIGNER:	R. HOWARD
PROJECT MGR:	R. HOWARD
INTEGRATION MGR:	
SALES REP:	
DATE:	05/24/17
SCALE:	NTS

JOB NO:	17-012
---------	--------

SHEET
AV5.01