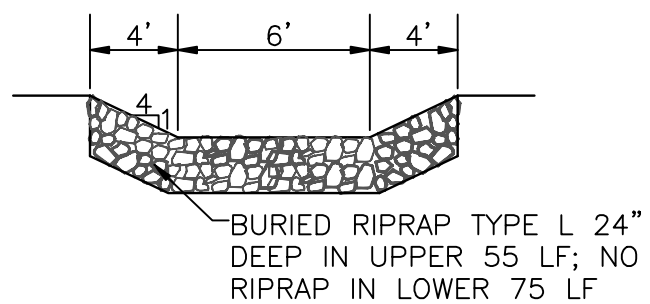
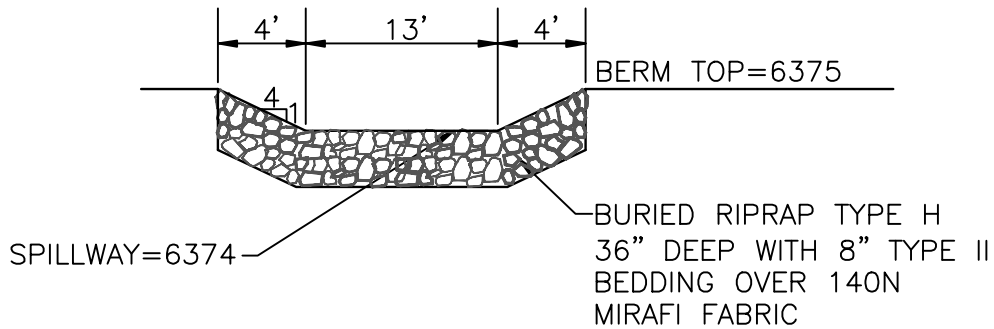


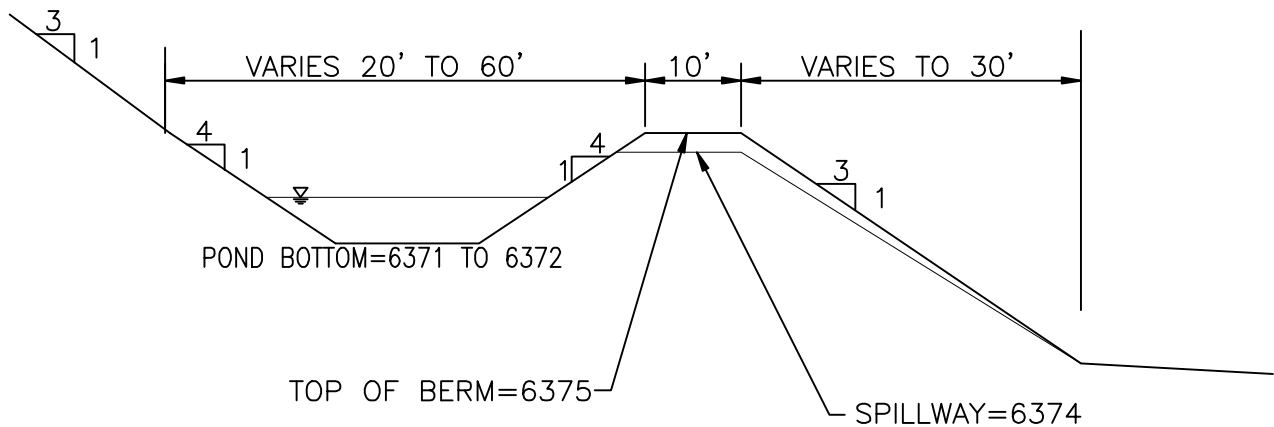
SWALE "A"



SWALE "B"



EMERGENCY OVERFLOW DETAIL



POND CROSS SECTION A-A

PLAN PREPARED BY:
Bradley B. Bean, PE
ENGINEERING & SOFTWARE
419 East Columbia Street
Colorado Springs, CO 80907
(719) 578-9391

LOT 9 SITE PLAN

**THE UNIVERSITY OF COLORADO
AT COLORADO SPRINGS**

DATE: 05/20/08
ADDENDUM #1

C2.1