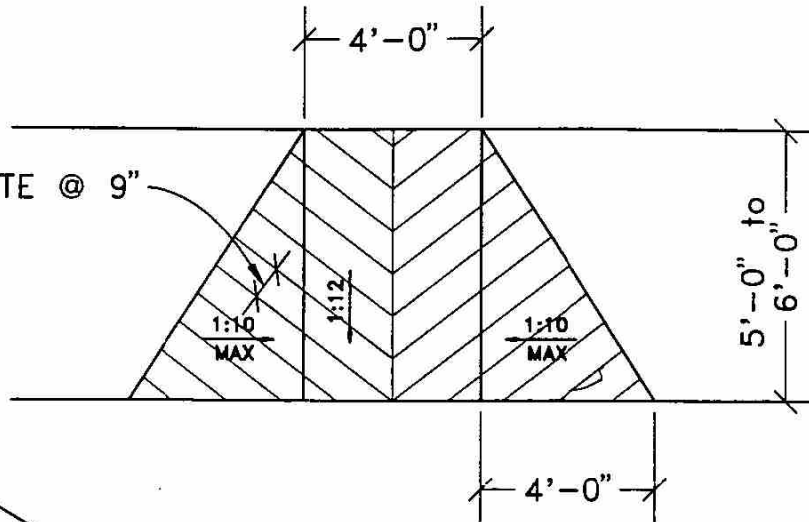


SCORE CONCRETE @ 9"



PROVIDE ROUNDED EDGE  
NOT TO EXCEED 1/2"  
AT FLOW LINE

## Campus Standard Curb Ramp

No Scale

Adopted by UCCS Standards  
July 2008

University of Colorado at Boulder  
Standard Drawings for  
Curb Cut Ramp

Office of Facilities Planning | Drawn by: JMH | Checked by: PAS | Date: 5 AUG 1998

